



INVISIBLE

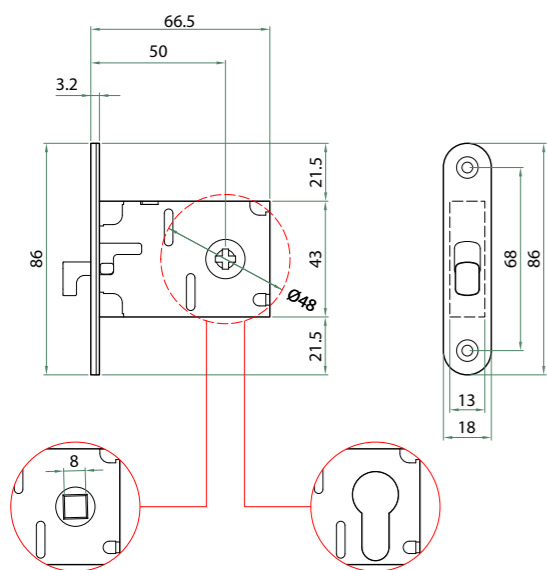
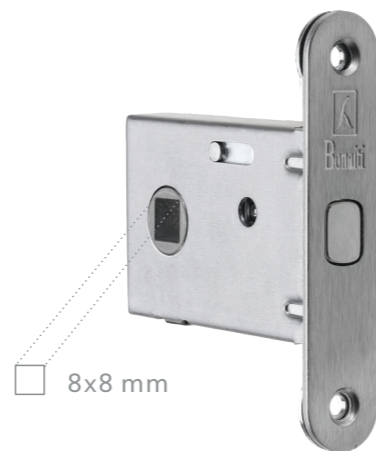
# SLIDING DOORS



PATENTED

Mod.

G500 MINI

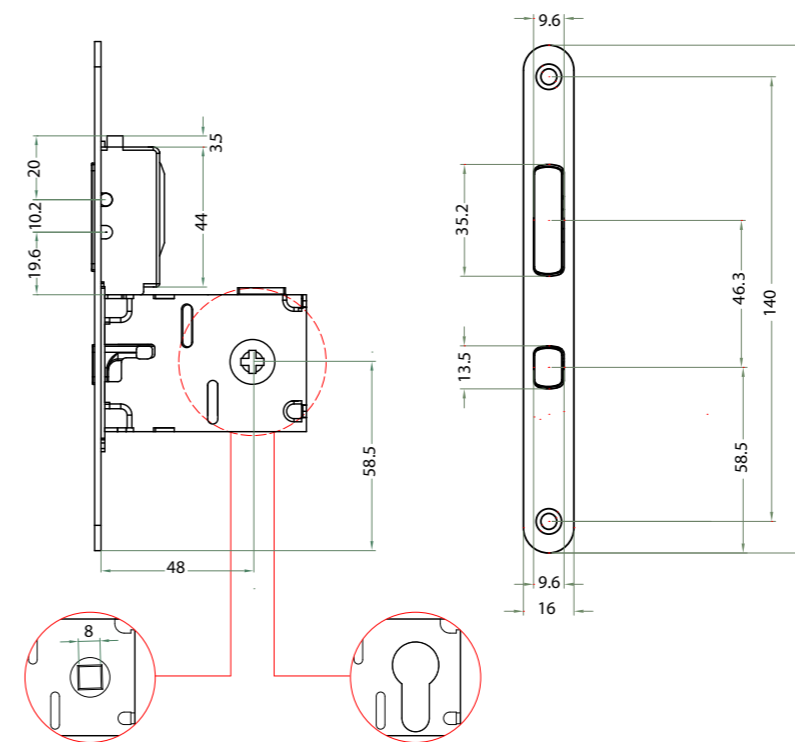


Material		
Steel		
Front plate		
height	width	thickness
86 mm	18 mm	3 mm
Backset		
50 mm		
Versions		
WC	BB	PZ

PATENTED

Mod.

G500T



Material		
Steel		
Front plate		
height	width	thickness
160 mm	16 mm	2 mm
Backset		
50 mm		
Versions		
WC	BB	PZ



